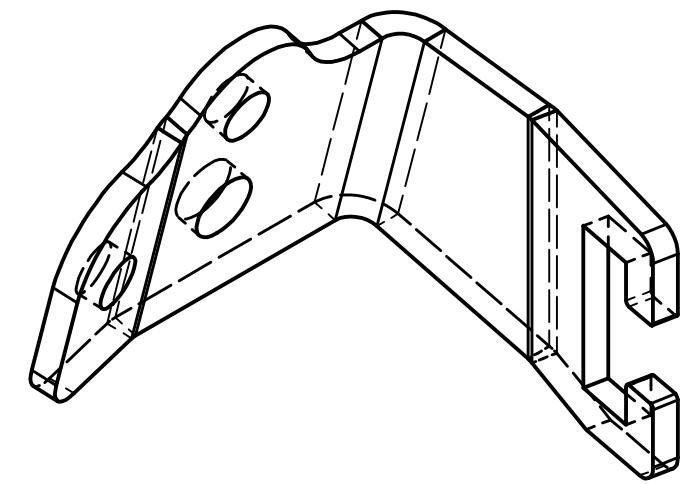


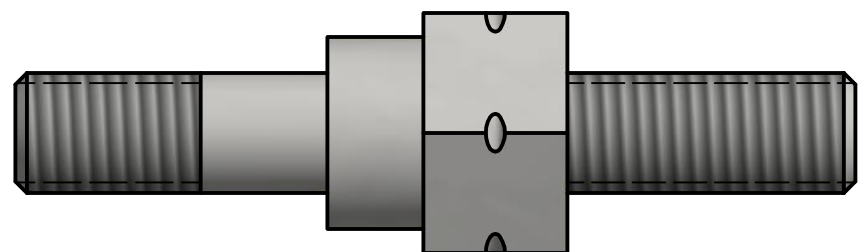
750 Adapter Kit Instructions

Main Arms have to be disassembled to mount the following adapter kit

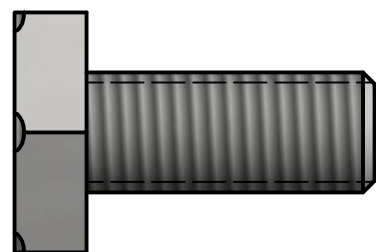


Adapter Bracket
Mounting hardware Included

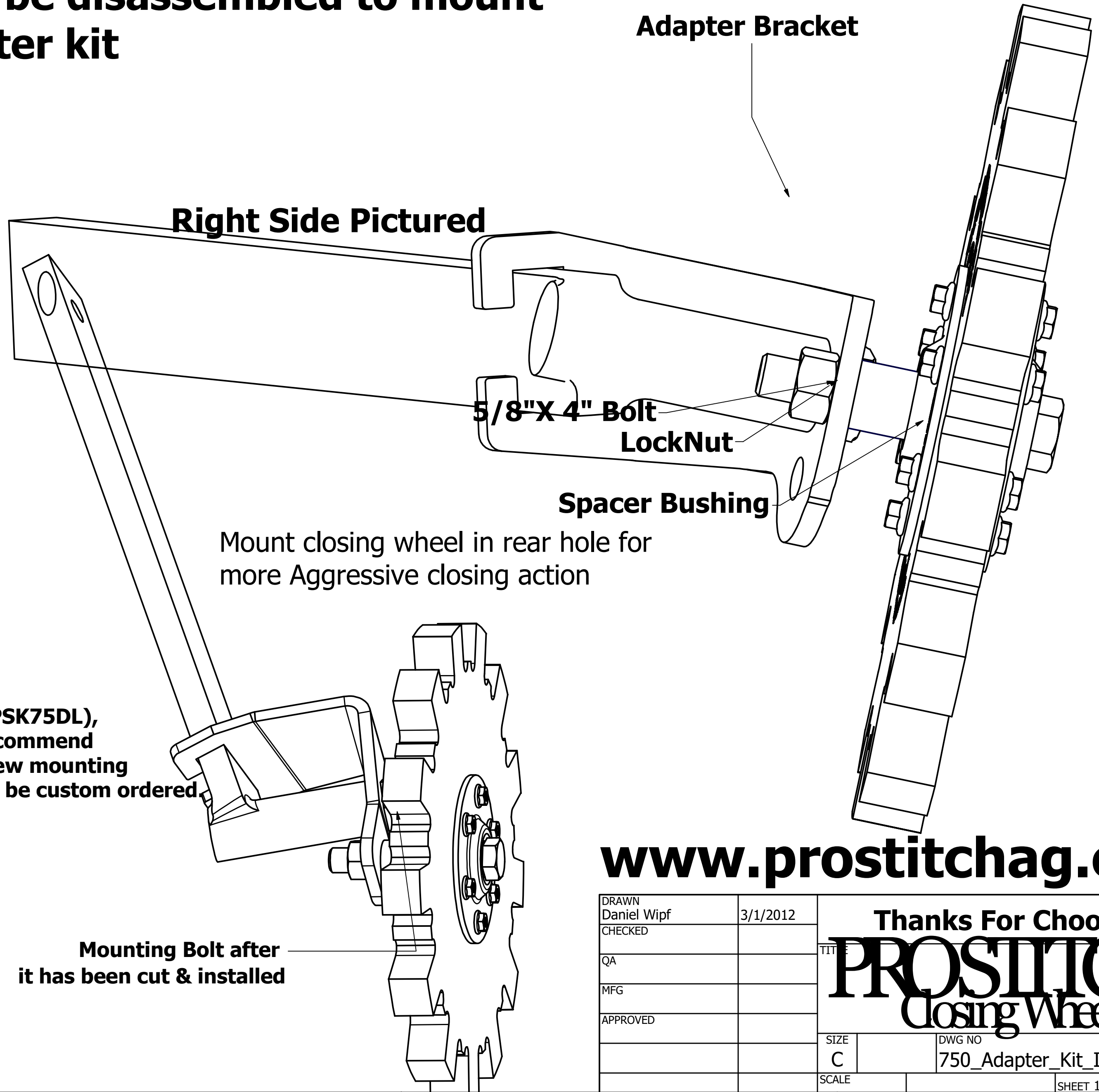
Notice: For the Left Handed Brackets (PSK75DL), A Left Threaded Bolt is required. We recommend Cutting the Original Bolt to make the new mounting Bolt. A left threaded bolt would have to be custom ordered.



Original Bolt Before
& After It has been cut



Mounting Bolt after
it has been cut & installed



Right Side Pictured

Adapter Bracket

5/8" X 4" Bolt

LockNut

Spacer Bushing

Mount closing wheel in rear hole for more Aggressive closing action

www.prostitchag.com

DRAWN Daniel Wipf	3/1/2012	Thanks For Choosing	
CHECKED		PROSTITCH	
QA		Closing Wheels	
MFG		SIZE	DWG NO
APPROVED		C	750_Adapter_Kit_Instructions
		SCALE	REV
			1
		SHEET 1 OF 1	